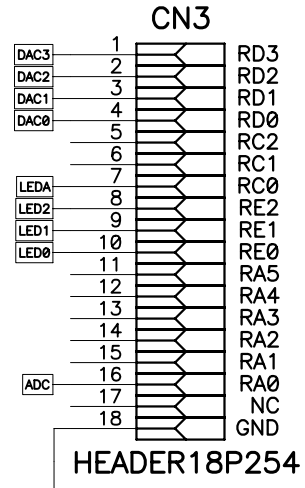
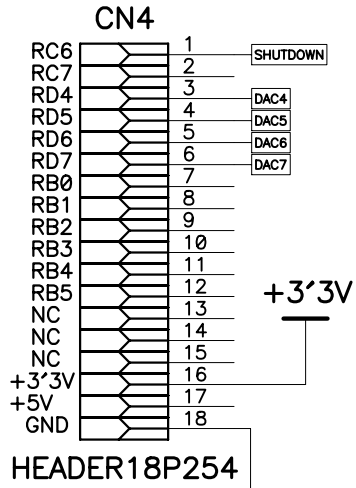
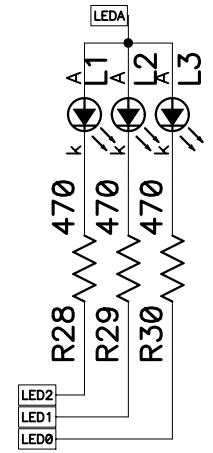


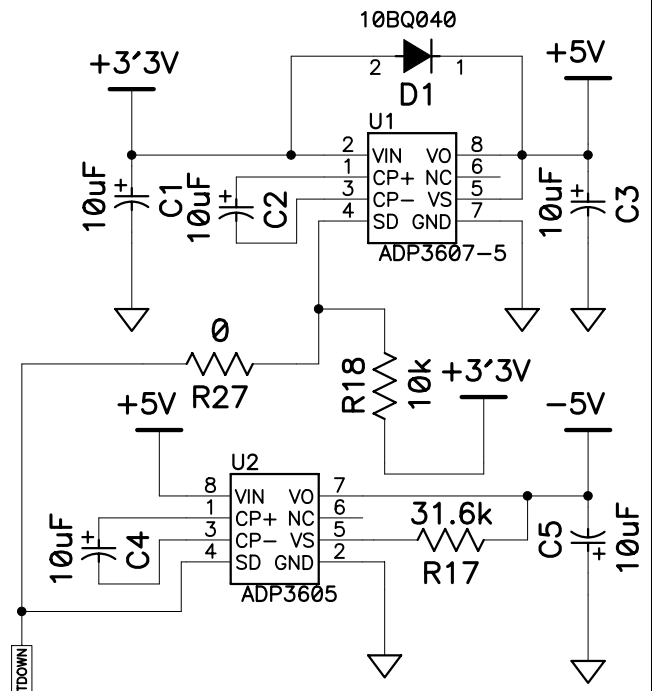
CONNECTORS:



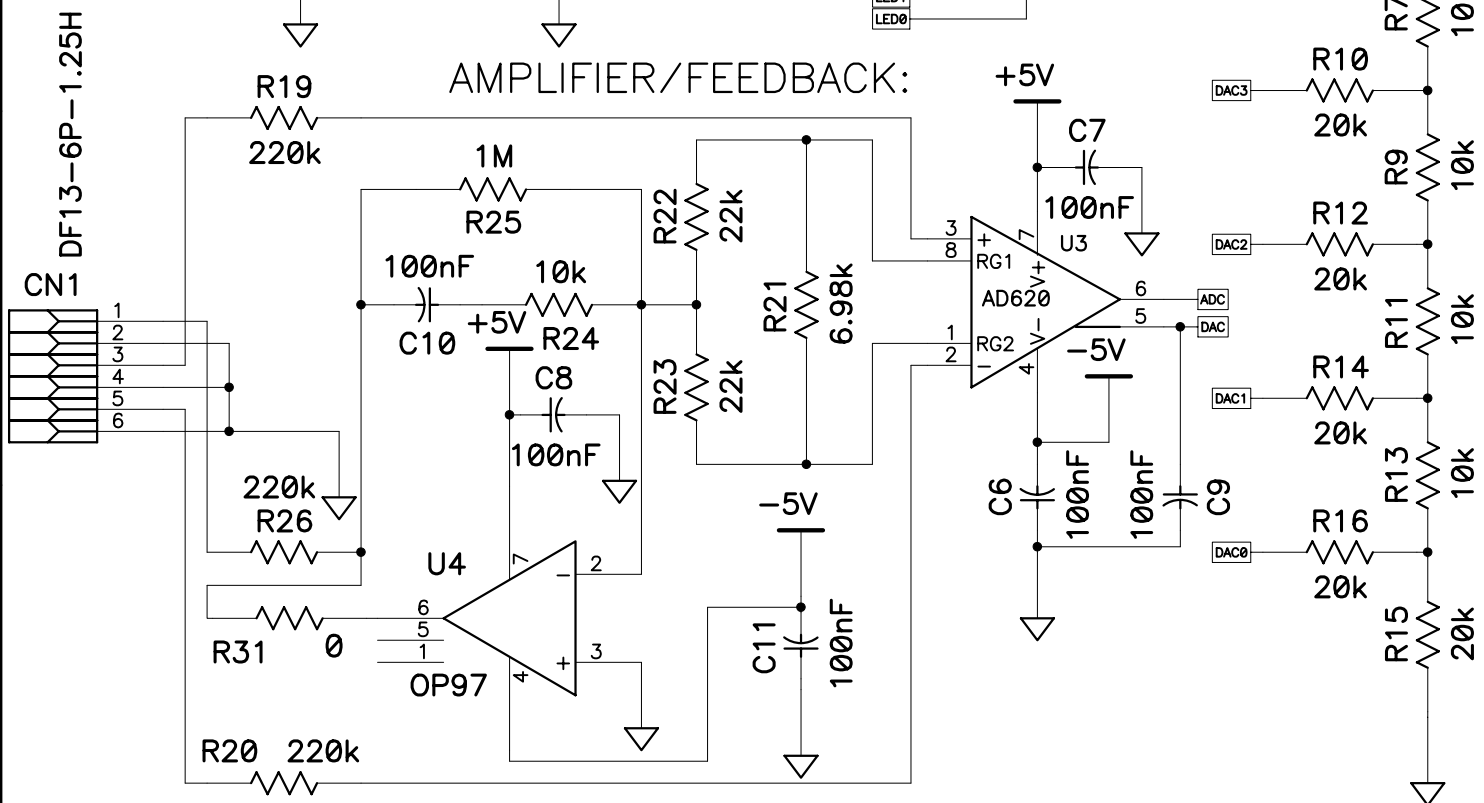
DAC R-2R:



POWER SUPPLY:



AMPLIFIER/FEEDBACK:



Title ECGr0.SCH		
Size A4	Number 1	Rev 0
Date 14/03/2005	Drawn by ACM	
Filename ECGr0.PCB	Sheet 1 of 1	